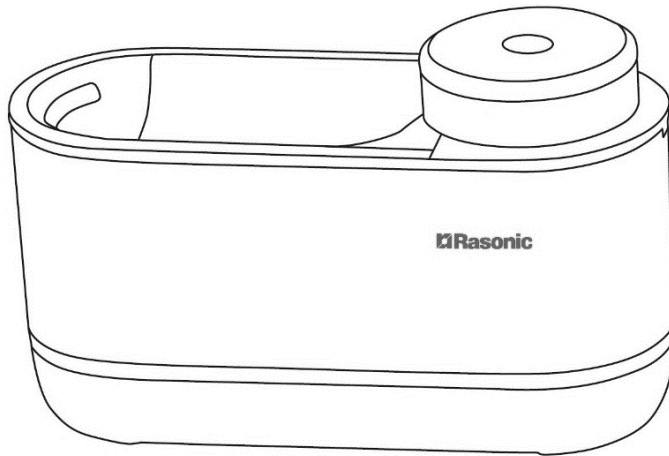


Rasonic
樂信牌

AQUA-WAVE

Cordless Pet Water Dispenser

無線寵物飲水器



僅供家庭使用

For household use only

使用說明書

OPERATION MANUAL

在使用本產品前，請仔細閱讀此說明書，閱讀後小心保存，以備日後查閱。

Please read the operation manual carefully before using and well keep it in a safe place for future reference.

本說明書中的圖示可能與實物有不同的地方，僅供參考。

Some figures in the manual may not match with the real object, just for reference only.

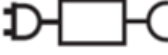
非常感謝您選購樂信牌無線寵物飲水器，在使用前請先詳細閱讀此說明書，並保存以備日後參考。

目錄

1. 安全注意事項
2. 產品規格
3. 產品結構
4. 保養、清潔及儲存
5. 使用方法
6. 充電方法
7. 故障排除
8. 特別聲明
9. 售後服務

1. 安全注意事項

使用本產品時，必須遵守下列安全預防措施：

1. 本產品包含不可更換電池，須使用配套的 USB 充電線連接 USB 充電器（本產品並不包括此配件）。將隨附的 USB 充電線分別插入直流 5 伏特 2 安培的 USB 充電器（禁止使用快速充電插頭充電）及本產品，然後將 USB 充電器連接到電源。
2. 使用前將所有包裝物料全部取出並棄掉，以免兒童或寵物當作玩具造成危險。
3. 切勿使用有殘缺或鬆動的 USB 充電線及 USB 充電器。使用前確保 USB 充電線及 USB 充電器已充分抹乾，及使用時須插穩。
4. 切勿在 USB 充電線、USB 充電器及產品上放重物或讓其接觸灼熱的表面；切勿夾住、改裝、用力拉扯或扭曲 USB 充電線、USB 充電器及本產品。
5. 切勿在 USB 充電線纏結的情況下連接電源。
6. 切勿將 USB 充電線及 USB 充電器浸入水中，或被水濺濕，以免造成觸電的危險。
7. 手濕時切勿安裝配件、接觸、插入或拆除 USB 充電線及 USB 充電器，否則可構成觸電的危險。
8. 在插入或拔除 USB 充電器時，應用手握穩 USB 充電器，切勿抓住 USB 充電線。
9.  此產品需要一個特定的獨立電源單元將本產品連接到電源。

10. 切勿讓小孩在沒有監督下使用、清潔及維修保養本產品或玩耍器具。必須將 USB 充電線、USB 充電器及本產品及其放於小孩不能接觸的地方。
11. 產品只能在室內使用。切勿在陽光直射的環境中使用。
12. 為避免危險，使用時必須遠離以下地方：
 - 易燃物、噴霧劑及煙劑等周圍
 - 熱源（如散熱器）、火源或直接受陽光照射的地方
 - 近水的環境
 - 大量熱氣、蒸氣或潮濕的地方
13. 本產品可供年齡在 8 歲或以上的兒童及體質、感覺或智力有障礙人士或缺乏經驗和相關知識的人士使用，但他們必須曾經接受負責安全人士的監督或指導如何安全地使用本產品和理解所涉及的危險。
14. 三個月以下的寵物不建議使用此設備。
15. 應按寵物類型、年齡、行為或飲水習慣等使用本產品。
16. 為防止危險，小心蓋住或隱藏 USB 充電線，以防寵物咬到 USB 充電線造成觸電。
17. 經常檢查本產品、USB 充電線及 USB 充電器。為避免危險，如有損壞應立即停止使用，並聯絡信興電器服務中心有限公司進行檢查及維修。切勿擅自改裝此產品或使用非生產商提供的零件進行修理，否則可造成危險及維修保養將會無效。
18. 在清潔本產品、安裝或拆卸配件前，確保 USB 充電線及 USB 充電器已從插座拔掉並確保電源已關閉。
19. 切勿將本產品放置於書櫃、壁櫥或其他封閉的空間。確保本產品存放在通風良好的環境。

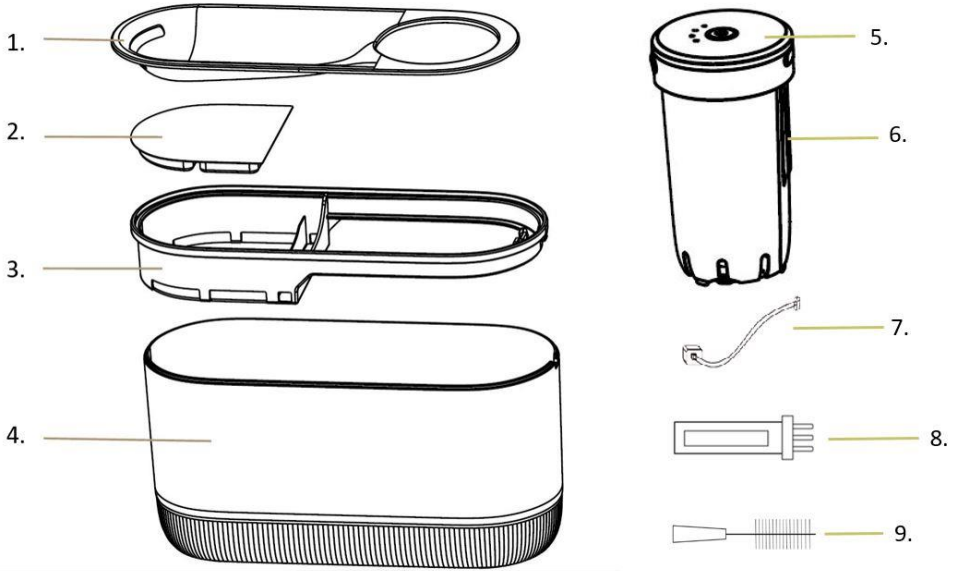
20. 切勿利用金屬儲水盤直接提起本產品。搬運時，需雙手提起水箱底座搬運，同時保持本產品處於直立位置。
21. 為防止寵物撲倒產品，建議放置本產品於角落或靠牆位置。

2. 產品規格

| | |
|----------------------|--------------------|
| 型號 | AQUA-WAVE |
| 額定功率 | 3 瓦 |
| 輸入電壓/ 電流 | 5 伏特= 2 安培 |
| 充電電池類型 | 鋰離子電池 |
| 額定電池容量 | 5,000 毫安時 |
| 充電時間 (約) | 6 小時 |
| 額定容量 (約) | 2.0 升 (最高水位) |
| 產品尺寸 (闊 x 深 x 高) (約) | 283 x 117 x 173 毫米 |
| 淨重 (約) | 1.1 公斤 (包括所有配件) |

3. 產品結構

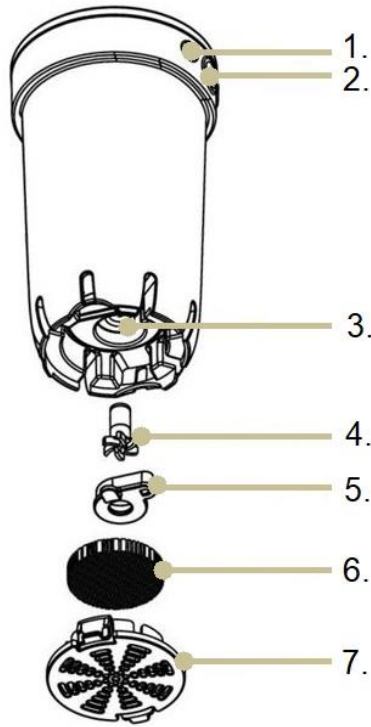
3.1 產品說明



- 1. 金屬儲水盤
- 2. 水箱濾網
- 3. 水箱濾網架
- 4. 水箱
- 5. 控制面板

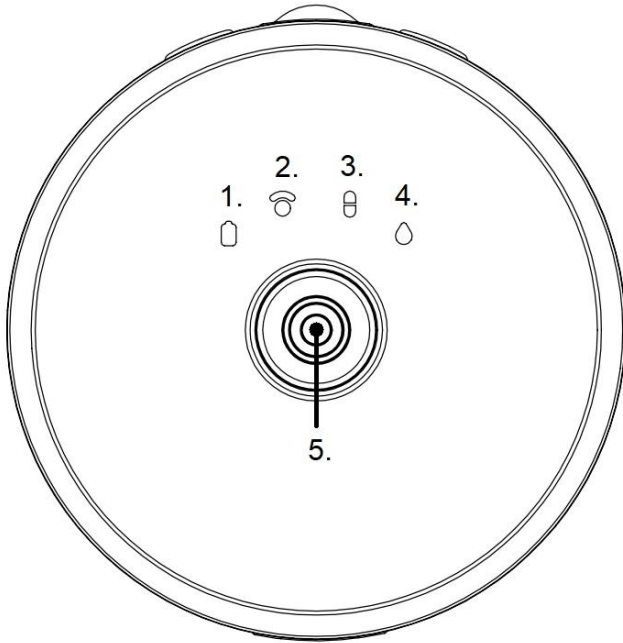
- 6. 水泵
- 7. USB 充電線
- 8. 平頭刷
- 9. 瓶刷

3.2 水泵說明



- | | |
|---------|---------|
| 1. 出水口 | 5. 水泵內蓋 |
| 2. 感應器 | 6. 水泵濾網 |
| 3. 轉子凹槽 | 7. 水泵帽 |
| 4. 轉子 | |

3.3 控制面板

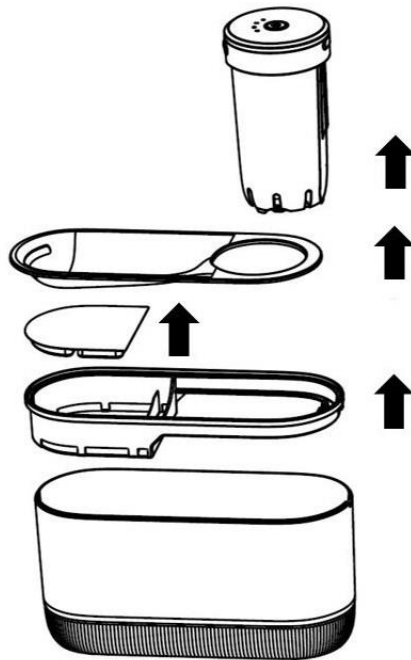


- | | |
|------------|-----------------|
| 1. 電量指示燈 | 4. 缺水指示燈 |
| 2. 感應模式指示燈 | 5. 【電源開關/模式切換】鍵 |
| 3. 間歇模式指示燈 | |

4. 保養、清潔及儲存

備註：建議用戶定期清潔本產品，否則灰塵及殘渣過度積聚，有可能危害寵物健康。

4.1 配件的拆除



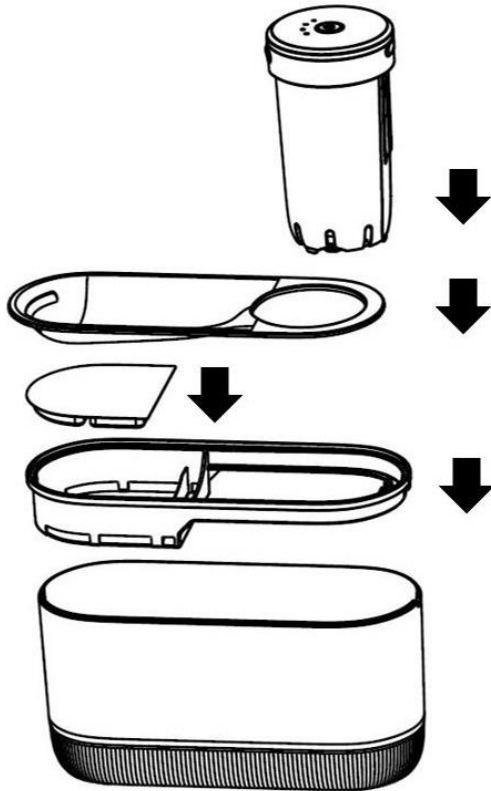
1. 依照上圖所示，依箭咀方向提起出水泵及金屬儲水盤，以便更換產品的水箱濾網。

備註：水箱濾網需定時更換，建議每月更換一次。

備註：適用於本產品的濾網型號為 AQUQ-WAVE-CF。

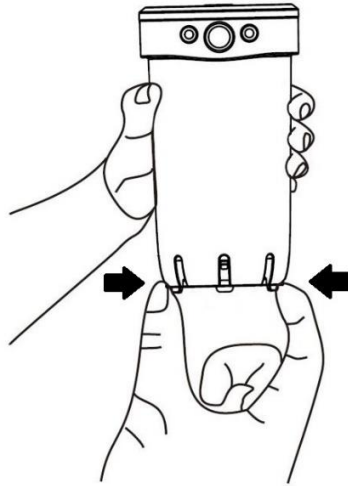
2. 再按箭咀方向提起水箱濾網架，以清空水箱內的飲用水。

4.2 配件的組裝

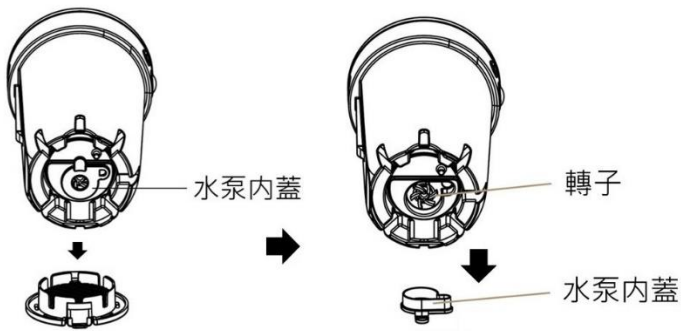


1. 將已清潔的水箱濾網架，安裝於水箱之上。
2. 於水箱內加入飲用水。
3. 將水箱濾網、金屬儲水盤及水泵按圖示安裝於水箱濾網架上。
4. 配件組裝已完成。

4.3 水泵的拆除

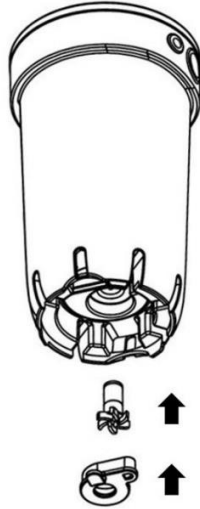


1. 依圖所示，向內按壓水泵帽兩側以打開水泵帽。
備注：水泵帽內設有水泵濾網，建議每 10 日更換一次。

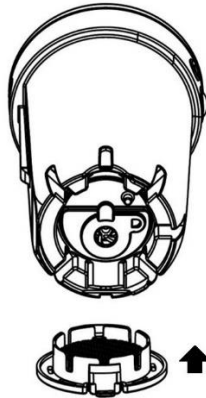


2. 打開水泵內蓋，利用鑷子取出水泵內的轉子。
備注：本產品並沒有附送鑷子，用戶須自行準備。
3. 使用附送的清潔刷，輔助清潔轉子凹槽、轉子、水泵內蓋及水泵帽。

4.4 水泵的組裝



1. 使用鑷子，將轉子安裝於轉子凹槽內。然後，將水泵內蓋按箭咀方向安裝於轉子上。



2. 先將水泵濾網安裝於水泵帽內。
3. 將水泵帽蓋上，水泵組裝已完成。

4.5 清潔水箱及與飲用水接觸的配件

備注：建議先清除水箱內的飲用水後，再進行水箱及配件的清潔及保養。

1. 清潔前，必須確保產品已關閉，並清空水箱和拆卸配件。
2. 可用濕軟布清潔控制面板表面，然後抹乾。**切勿**用水沖洗。
3. 可用清水或少量中性清潔劑清洗配件。
4. 切勿用天拿水、汽油、去污粉、硬質刷及金屬刷來清潔配件，以免刮花或腐蝕配件表面，致產生異味或滋生細菌。
5. 切勿使用有毒或含腐蝕性清潔劑進行清潔。

4.6 儲存

1. 如長期不使用本產品，需清空水箱內剩餘的飲用水，及取出水泵。
2. 於清潔後充分乾燥，然後套上塑膠袋，藏於乾爽及避免紫外光直接照射的環境。

5. 使用方法

5.1 首次使用前

1. 先將本產品的包裝物料全部清除。如本產品的外殼上附有包裝袋，應將包裝袋除去後才使用。切勿讓小孩或寵物玩弄包裝袋，否則可能會引致窒息及危險。
2. 徹底檢查本產品及配件有否損壞及裂痕。如有損壞，切勿組裝或使用本產品。
3. 首次使用前，用扭乾的濕布清潔水泵表面。而其他與飲用水接觸的配件則可用中性清潔劑清洗。

5.2 使用前準備

1. 使用前，建議放置本產品於角落或靠牆位置，及放置於水平穩固、乾爽、抗熱及防水的表面上，以免發生意外。
2. 運作前，須確保妥善安裝水箱及配件。安裝詳情請參考**章節 4.2 配件的組裝**及**章節 4.4 水泵的組裝**。

5.3 使用說明

1. 取出金屬儲水盤、水箱濾網及水箱濾網架，將飲用水倒入水箱內。
注意！切勿倒入飲用水外的液體。
注意！切勿加水超過水箱最高水位線。
2. 安裝水箱濾網架、水箱濾網、金屬儲水盤及水泵於水箱之上，安裝詳情參考**章節 4.2 配件的組裝**。

3. 長按【**電源開關/模式切換**】鍵，產品會發出“呖”聲，所有指示燈會亮起一次，然後產品進入感應模式，開始運作。
4. 若要切換運作模式，按一下【**電源開關/模式切換**】鍵，產品會發出“呖”聲，間歇模式指示燈亮起一次，表示產品已進入間歇模式，開始運作。
5. 產品運作期間，當水泵離開水面或水箱缺水時，紅色缺水指示燈會亮起以提醒用戶，水泵會立即停止運作。

5.4 運作模式說明

本產品備有兩種出水模式，分別為感應模式和間歇模式，詳細運作描述見下表格：

| 感應模式 | 間歇模式 |
|--|--|
| <ul style="list-style-type: none"> ● 當寵物進入感應區〔即距離產品約 1.5 米及 120° 的範圍內〕，產品會自動運作開始出水。 ● 每次出水時間約為 40 秒。 ● 若使用時間超過 40 秒，產品會自動改為持續出水，直到寵物離開感應區，便會停止運作。 | <ul style="list-style-type: none"> ● 按照時間表，每隔約 30 分鐘出水一次。 ● 每次出水時間約為 40 秒。 |

6. 充電方法

備註：首次使用，或者長時間不使用時，必須確保產品已完成充電。**(切勿於充電時開啟本產品)**

1. 必須拆除所有配件後，才能進行充電。
2. 須使用直流電 5伏特 2安培的 USB充電器（本產品**並不**包括此充電器；**禁止**使用快速充電插頭充電）替產品充電。
3. 連接電源當刻，紅色和白色電量指示燈會交替閃動；充電時，白色指示燈會閃動；當充電完成後，白色指示燈會轉為常亮。

注意！首次使用前，必須將產品徹底充電。

注意！若長時間不使用本產品，須確保每三個月進行一次充電，以防止電池老化。

注意！為免使用過程中寵物咬到 USB充電線造成觸電，須小心蓋住或隱藏 USB充電線。

7. 故障排除

| 故障現象 | 原因 | 解決方法 |
|----------|---------------------|--------------------------|
| 產品不能運作。 | 檢查是否已開啓電源開關。 | 長按【電源開關/模式切換】鍵啓動產品。 |
| | 檢查產品是否電量過低。 | 將產品重新充電後再使用。 |
| 產品沒有水供應。 | 檢查是否水箱內水位過低。 | 加食用水至水箱最高水位線。 |
| 產品出水量低。 | 檢查水泵濾網或水箱濾網是否有異物堵塞。 | 清潔/更換水泵濾網/水箱濾網。 |
| 水質渾濁或變黃。 | 檢查是否長時間沒有更換飲用水。 | 立即更換飲用水。建議每 7 日更換飲用水一次。 |
| | 檢查是否長時間沒有更換水箱濾網。 | 立即更換水箱濾網。建議每一個月更換水箱濾網一次。 |

如使用以上方法仍未能使產品恢復正常操作，切勿嘗試自行維修。應聯絡信興電器服務中心有限公司進行檢查及維修。

8. 特別聲明

1. 本資料上所有內容經過核對，如有任何印刷及內容上的誤解，本公司將保留解釋權。
2. 本產品若有技術改進，會編進新版說明書中，恕不另行通知；產品外觀、規格如有改動，則以製造商資料為準。
3. 如本資料之中英文版本有差異時，應以中文版為準。
4. 使用說明書的電子副本可以通過電子郵件發送致客戶，如有需要，可致電信興電工工程有限公司：2861 2767。

9. 售後服務

1. 由購買收據日期起之一年保修期內，經信興電器服務中心有限公司之服務人員證實產品故障屬於正常使用之情況下發生者，本公司將提供免費維修或更換零件服務。經更換之任何損壞零件，將歸屬本公司所有。保修範圍不包括修理或更換產品之損耗性零件等。
2. 用戶必須於維修時出示購買收據／換購收據及蓋有銷售點／換購中心印章的產品保修記錄卡。如有任何疑問，請致電信興電器服務中心有限公司熱線：2406 5666查詢。

Thank you for choosing Rasonic Cordless Pet Water Dispenser. Read the manual carefully before use and keep it for your future reference.


Table of Contents

1. Important Safeguards
2. Product Specifications
3. Product Descriptions
4. Maintenance, Cleaning and Storage
5. Operation Instructions
6. Charging
7. Troubleshooting
8. Special Avowal
9. After Sales Service

1. Important Safeguards

When using the appliance, please follow below safety precautions:

1. The appliance contains batteries that are non-replaceable. Use the provided USB charging cable to connect with a charger (the item is **NOT** supplied with the appliance). Connect the provided USB charging cable to DC5V 2A adapter (**DO NOT** use quick charge adapter) and the appliance, then insert the adapter to power socket.
2. Remove and discard all packing materials of the appliance. Make sure children and pet do not play with them to avoid any danger.
3. Never use deficient or loosen USB charging cable and adapter. Make sure the USB charging cable and USB adapter are dry before use and inserted firmly when use.
4. Do not put heavy objects on the USB charging cable, USB adapter and appliance or let it touch any hot surface. Never clip, modify, stretch or twist the USB charging cable, USB adapter and appliance.
5. Do not use the USB charging cable when it is tangle.
6. Never immerse the USB charging cable and USB adapter into water or let them wet, it is to avoid electric shock.
7. To avoid electric shock, never assemble accessories, touch, plug in or unplug USB charging cable and adapter with wet hands.

8. Always hold the USB adapter tightly with hands when insert or remove it. Do not grasp USB charging cable.
9.  A specific separated power supply unit is required to connect this appliance to power supply.
10. Children shall not play with the appliance. Using, cleaning and maintenance shall not be made by children without supervision. Put the appliance and its USB charging cable and USB adapter in a place not reachable by children.
11. The appliance is intended for in door use. Do not use the appliance in an environment exposed to direct sunlight.
12. To avoid danger, never use the appliance near the environment of:
 - Flammable materials, sprays and aerosols
 - Heat source (e.g. radiator), fire or expose under direct sunlight
 - Near water
 - Massive hot air, steam or humid area
13. The appliance can be used by children aged from 8 years and above and person with reduced physical, sensory or mental capabilities, or lack of experience and knowledge, if they have been given supervision or instruction concerning use of the appliance in a safe way and understand the hazards involved.
14. The appliance is not recommended for pet that are under 3 months old.

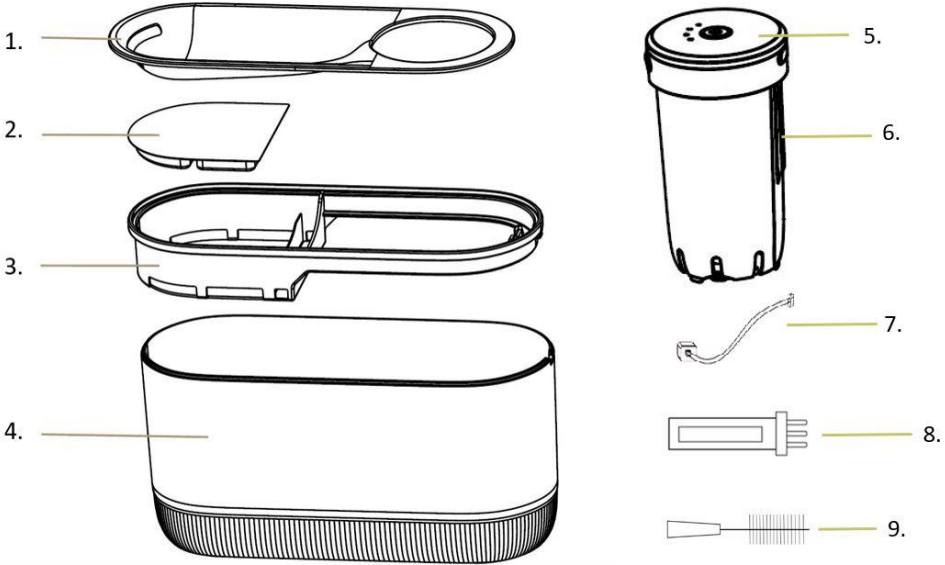
15. Set the appliance according to the breeds, age, behavior or drinking habits of your pet.
16. To avoid electric shock, cover or hidden the USB charging cable.
17. Always check the condition of the appliance, USB charging cable and USB adapter. To avoid hazards, please stop using immediately if any damage is found. Please contact Shun Hing Electric Service Centre Limited for checking and repairing. Do not attempt to modify the appliance by yourself or repair with any parts that are unauthorized, otherwise it may cause hazards and warranty becomes invalid.
18. Remove the USB adapter from the socket, USB charging cable and power off before cleaning the appliance, installing, or removing the accessories.
19. Do not place the appliance in a bookcase, built-in cabinet or in another confined space. Make sure this appliance stored in a well-ventilated environment.
20. Do not directly lift the appliance by the metal water tray. Lift the water tank base with both hands while keeping the appliance in an upright position.
21. To prevent pets from knocking over the appliance, it is recommended to place the appliance in a corner or against a wall.

2. Product Specifications

| | |
|--|-----------------------------------|
| Model no. | AQUA-WAVE |
| Rated Power | 3W |
| Input Voltage / Current | 5V ⁼⁼ 2A |
| Type of Rechargeable Battery | Lithium-ion rechargeable battery |
| Rated Rechargeable Battery Capacity | 5,000 mAh |
| Charging Time (Approx.) | 6 hours |
| Rated Capacity (Approx.) | 2.0 L (MAX. water level) |
| Product Size (WxDxH) (Approx.) | 282 x 115 x 172 mm |
| Net Weight (Approx.) | 1.1 kg (Including accessories) |

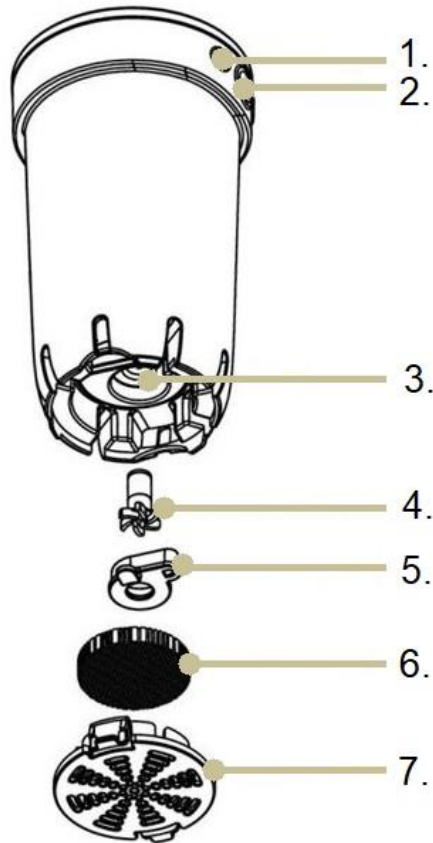
3. Product Descriptions

3.1 Product description



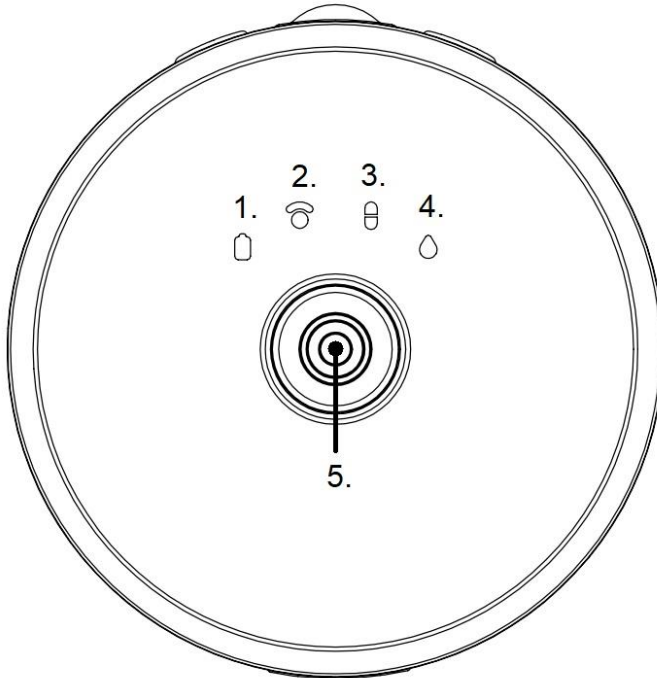
- 1. Metal water tray
- 2. Filter core
- 3. Filter holder
- 4. Water tank
- 5. Control panel
- 6. Water pump
- 7. USB charging cable
- 8. Flat brush
- 9. Bottle brush

3.2 Water pump descriptions



- | | |
|-----------------|----------------------|
| 1. Water outlet | 5. Inner lid |
| 2. Sensor | 6. Water pump filter |
| 3. Rotor groove | 7. Pump cap |
| 4. Rotor | |

3.3 Control panel

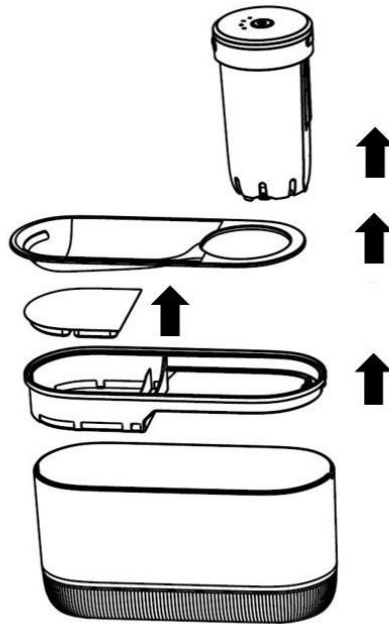


- | | |
|----------------------------|---|
| 1. Power indicator | 4. Lack of water indicator |
| 2. Sensor mode indicator | 5. 【Power / Change of mode】 button |
| 3. Interval mode indicator | |

4. Maintenance, Cleaning and Storage

NOTE: It is recommended to clean the appliance regularly, as excessive accumulation of dust and residue could potentially harm the health of pets.

4.1 Disassembly accessories



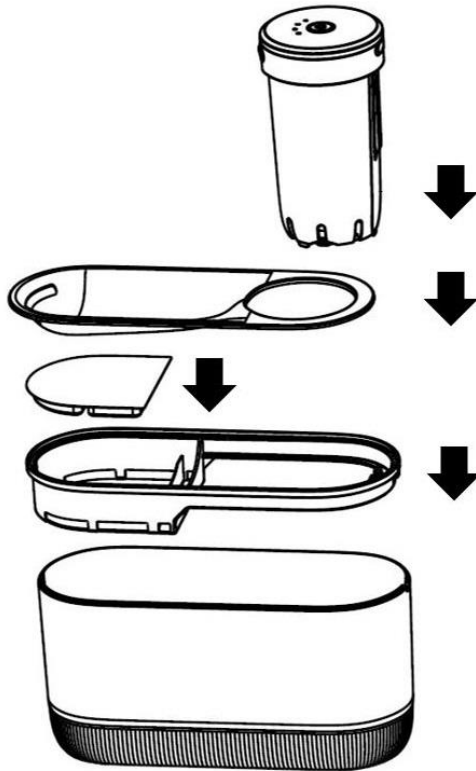
1. As the arrow stated, take out the water pump and metal water tray in order to replace filter core.

NOTE: Filter core must be replaced regularly and suggested to replace it every month.

NOTE: The suitable filter model is **AQUA-WAVE-CF**.

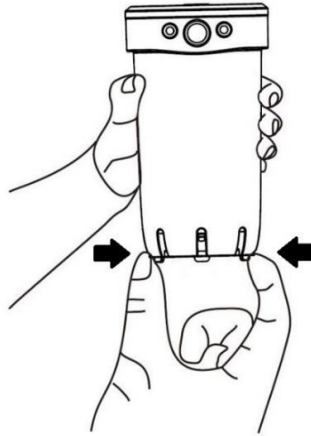
2. Lift up the filter holder and clear remaining water in the tank.

4.2 Assembly accessories

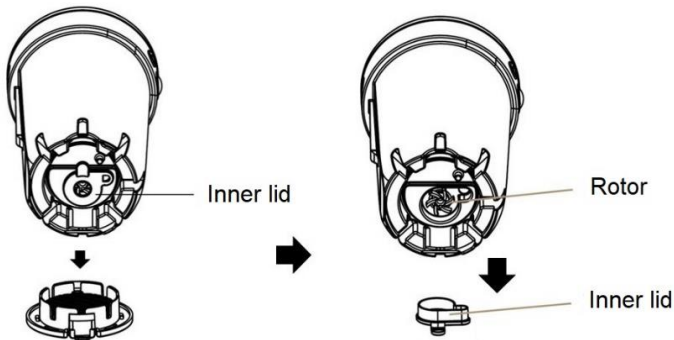


1. After cleaning the filter holder, assemble on top of the water tank.
2. Fill drinking water inside the water tank.
3. Refer to the above illustration, install the filter core, metal water tray and water pump on top of the filter holder.
4. Assembly of accessories finished.

4.3 Disassembly water pump

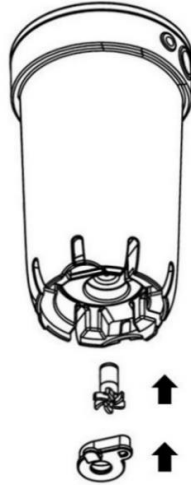


1. As the arrow stated, press both sides of the pump cap to open.
NOTE: There is a water pump filter inside the cap, it is suggested to replace it every 10 days.

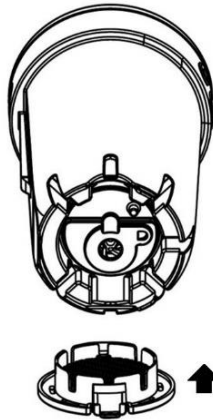


2. Open the pump cap, use a tweezer to take out the rotor.
NOTE: There is NO tweezer supplied with the appliance, user should prepare for it.
3. Using the cleaning brush supplied to clean the rotor groove, rotor, inner lid and pump cap.

4.4 Assembly water pump



1. Make use of a tweezer to install the rotor into rotor groove, and install the inner lid as the arrow stated.



2. Place the water pump filter inside the pump cap first.
3. Install the pump cap on the water pump. Assembly of water pump finished.

4.5 Cleaning water tank and water contact accessories

Note: It is recommended to empty the drinking water in the water tank before cleaning and maintaining the appliance.

1. Before cleaning, make sure the appliance is powered off, empty the water tank and all accessories removed.
2. Clean the surface of the control panel with a damp, soft cloth and then dry it. **DO NOT** rinse it by water.
3. Clean all the accessories with water and mild detergent.
4. To avoid scratching and corroding the surface of the parts, do not use lacquer thinner, gasoline, decontamination powder, hard brush or metal brush to clean the accessories, resulting in odor or breeding of bacteria.
5. Do not use toxic or corrosive cleaning agents.

4.6 Storage

1. If the appliance is not in use for a long time, empty the water tank, take out the water pump.
2. Put it in a plastic bag after cleaning and dried, and store it in a dry place and avoid direct ultraviolet light.

5. Operation Instructions

5.1 Before First Use

1. Remove all packaging materials from the appliance. If there is a packaging bag attached to the enclosure of the appliance, remove it before use. Do not let children or pets play with the packaging bag, as it may cause suffocation and danger.
2. Thoroughly check the appliance and accessories for any damage or cracks. Do not assembly or use the appliance if there is any damage.
3. Before the first time of use, clean the surface of the water pump with a damp cloth. Other water contact accessories can be cleaned by neutral detergent.

5.2 Before use

1. Before use, it is recommended to place the appliance in a corner or against a wall. Place it on a stable, dry, heat-resistant, and waterproof surface to prevent accidents.
2. Before operation, assembly the water tank and all accessories properly. Details refer to **Chapter 4.2 Assembly accessories** and **Chapter 4.4 Assembly water pump**.

5.3 Operation instructions

1. Take out the metal water tray, filter core, filter holder and fill in the water tank with drinking water.

CAUTION! Do not fill any liquid other than drinking water.

CAUTION! Do not fill water over Max. level.

2. Assembly filter holder, filter core, metal water tray and water pump on the water tank. Details refer to **Chapter 4.2 Assembly accessories**.
3. Press and hold the **【Power / Change of mode】** button to turn on the appliance. All indicator light will light on once and the appliance will have a “Bi” sound, indicating the appliance is running under sensor mode.
4. To change the operation mode, press the **【Power / Change of mode】** button once, the appliance will have a “Bi” sound while the interval mode indicator flash once, indicating the appliance is running under interval mode.
5. During operation, to remind user, the lack of water indicator will light on if the water pump is lifted away from the water level or the water tank in lack of water. Water pump will not operate at the same time.

5.4 Operation mode instructions

There are 2 different operation modes which are sensor mode and interval mode, details of the operation can be found in below table:

| Sensor Mode | Interval mode |
|---|--|
| <ul style="list-style-type: none">● When the pet enters the detection area (which is approx. 1.5-meter distance and 120° areas), the operation will start automatically.● Water dispense for every 40 seconds each time.● If operation time longer than 40 seconds, the operation will run continuously until the pet leave the detection area. | <ul style="list-style-type: none">● With schedule specified, the appliance will operate in each 30 minutes.● Water dispense for every 40 seconds each time. |

6. Charging

Note: Be sure to fully charge the battery before first time of use or when not in use for a long time. (**DO NOT** operate the appliance when charging)

1. Disassembly all accessories before charging.
2. Connect the appliance with power supplier DC5V 2A adapter (the adapter is **NOT** supplied, and **DO NOT** use quick charge adapter) to charge the appliance.
3. When the appliance connected to the electricity, the white and the red indicators will flash alternately. And, the white power indicator will flash during charging. After the appliance fully charged, the white power indicator will stay on.

CAUTION! Make sure to fully charge the appliance before the first time of use.

CAUTION! If the appliance is not in use for a long time, charge it every 3 months to prevent battery aging.

CAUTION! To prevent pets from biting the USB charging cable resulting electric shock, be careful to cover or hide the USB power cord.

7. Troubleshooting

| Problem | Reason | Solution |
|---------------------------------------|---|--|
| The appliance does not work. | Check if the power is turned on. | Press and hold the 【 Power / Change of mode 】, button to turn on the appliance. |
| | Check if the power level is low. | Recharge the appliance and restart the operation. |
| No water dispense. | Check if water tank is in lack of water. | Fill water into water tank to MAX. level. |
| Less water dispense during operation. | Check if the filter core or water pump filter has been clogged. | Clean/ replace the filter core or water pump filter. |
| Water is turbid or became yellow. | Check if the drinking water is not changed for a long time. | Change the drinking water immediately. Make sure to change it every week. |
| | Check if the filter core is not changed for a long time. | Replace the filter core immediately. Make sure to replace the filter core every month. |

If the above solutions cannot fix the problem, do not attempt to modify the appliance by yourself and please contact Shun Hing Electric Service Centre Ltd. to check and repair.

8. Special Avowal

1. The content in the operation manual has been checked. Our company reserves the hermeneutic power to any printing errors or misunderstanding on the content.
2. If there are technical improvements on the appliance, the operation manual will be updated in new version without prior notice. The appliance appearance and specification are subject to the manufacturer information.
3. In case there is any inconsistency or conflict between the English version and Chinese version of the terms, the Chinese version shall prevail.
4. The e-copy of user manual can be sent by email on requested. For enquiries, please call Shun Hing Electric Works & Engineering Co., Ltd. hotline at 2861 2767.

9. After Sales Service

1. For any defect, in the judgement of technician from Shun Hing Electric Service Center Limited, caused under normal use, our company is responsible for repairing or replacing parts of the said electrical appliance free of charge within one year guarantee period commencing from the date of purchase. Any defect part which has been replaced shall become our property. Guarantee service does not cover the repair or replacement of consumable parts etc.
2. User must present the official invoice/redemption voucher and the appliance warranty card with the chop from sales point/redemption center for maintenance. For enquiries, please call Shun Hing Electric Service Center Limited hotline at 2406 5666.



Rasonic 樂信牌

信興電工工程有限公司

SHUN HING ELECTRIC WORKS AND ENGINEERING CO., LTD.

辦公室：香港九龍尖沙咀東部麼地道67號半島中心9樓

電話：2861 2767

圖文傳真：2865 6706

網址：<http://www.rasonic.com>

電郵：shew@shunhinggroup.com

Office: 9/F, Peninsula Centre, 67 Mody Road, Tsimshatsui East, Kowloon, H.K.

Tel: 2861 2767

Fax: 2865 6706

Website: <http://www.rasonic.com>

E-mail: shew@shunhinggroup.com

保養及維修 Maintenance and Repair Service:

信興電器服務中心有限公司

SHUN HING ELECTRIC SERVICE CENTRE LTD.

香港新界葵涌勝耀街2號信興中心11樓

電話：2406 5666

圖文傳真：2408 0316

網址：<http://www.shesc.com/zh>

11/F, Shun Hing Centre, 2 Shing Yiu Street, Kwai Chung, N.T. H.K.

Tel: 2406 5666

Fax: 2408 0316

Website: <http://www.shesc.com/en>

客戶服務中心

香港新界葵涌勝耀街2號信興中心1樓

九龍尖沙咀東部麼地道67號半島中心B座9樓

澳門慕拉士大馬路193-199號南嶺工業大廈5樓I座

Customer Service Centre

1/F, Shun Hing Centre, 2 Shing Yiu Street, Kwai Chung, N.T.

9/F, Block B, Peninsula Centre, 67 Mody Road, Tsim Sha Tsui East, Kowloon

Avenida de Venceslau de Morais, No. 193-199,5 andar - 1, Edf. Industrial Nam Leng,

Macau

有關最新之香港及澳門客戶服務中心資料，請參閱信興服務中心網址：

<http://www.shesc.com/zh>

For the latest information of Hong Kong and Macau service center, please visit

<http://www.shesc.com/en>

RPP-D0325